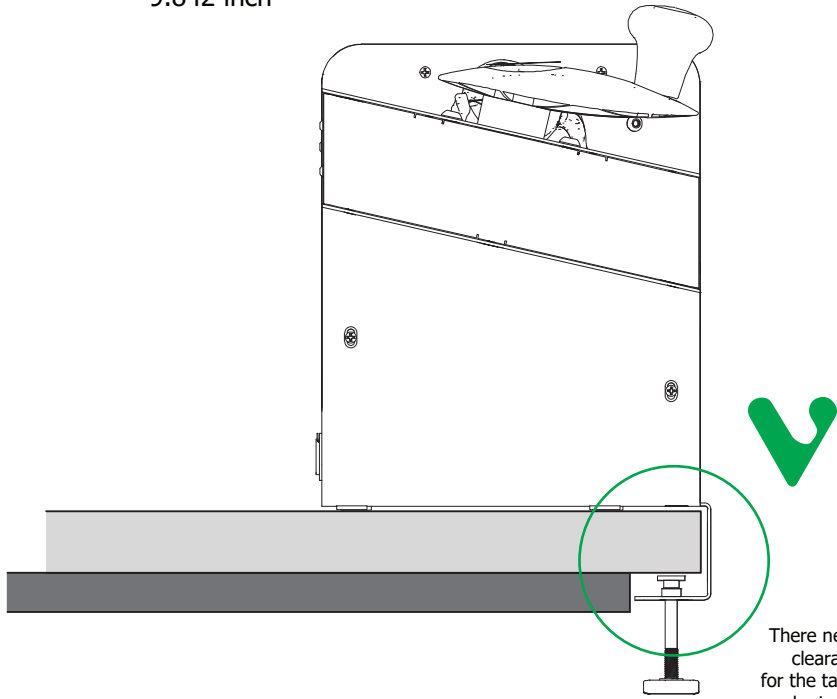
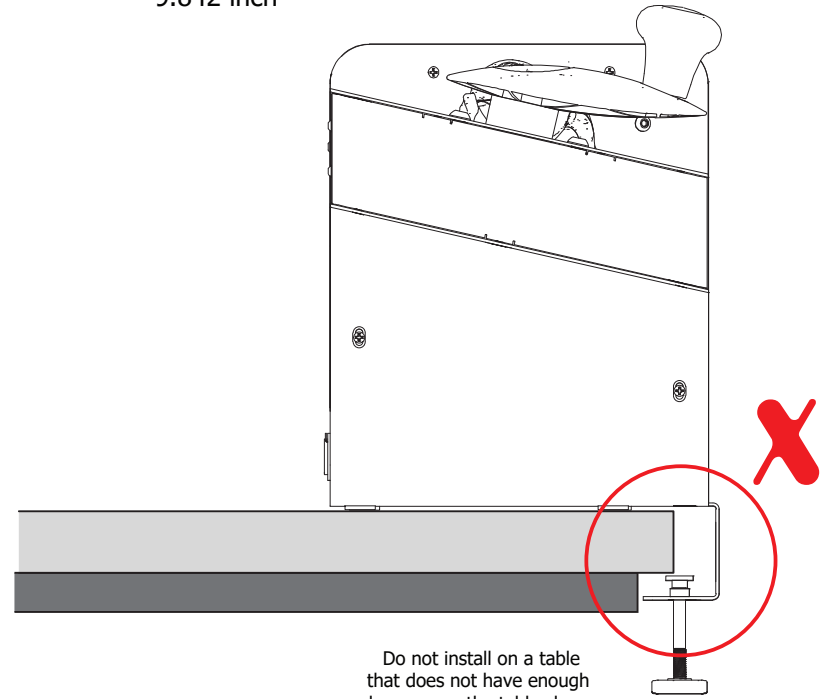


250mm  
9.842 inch



There needs to be enough clearance underneath for the table clamp screws to be installed correctly.

250mm  
9.842 inch



Do not install on a table that does not have enough clearance or the table clamps to be installed correctly. The desktop module might be pulled off the table while in use.

