



FORKLIFT_
SIMULATOR

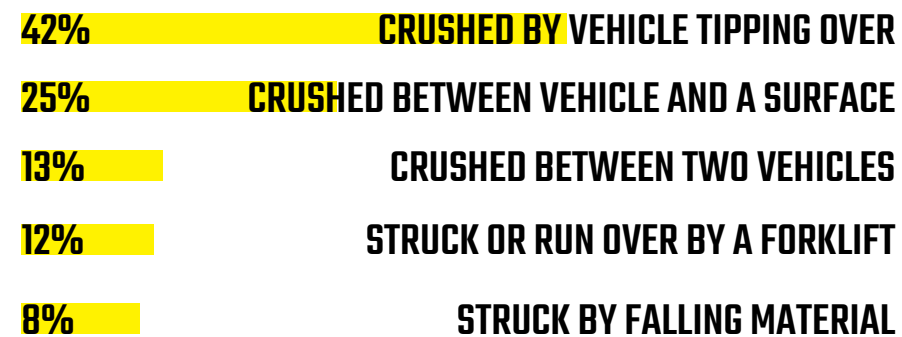
DRIVER TRAINING

SAFETY AWARENESS

PRODUCTIVITY GAINS

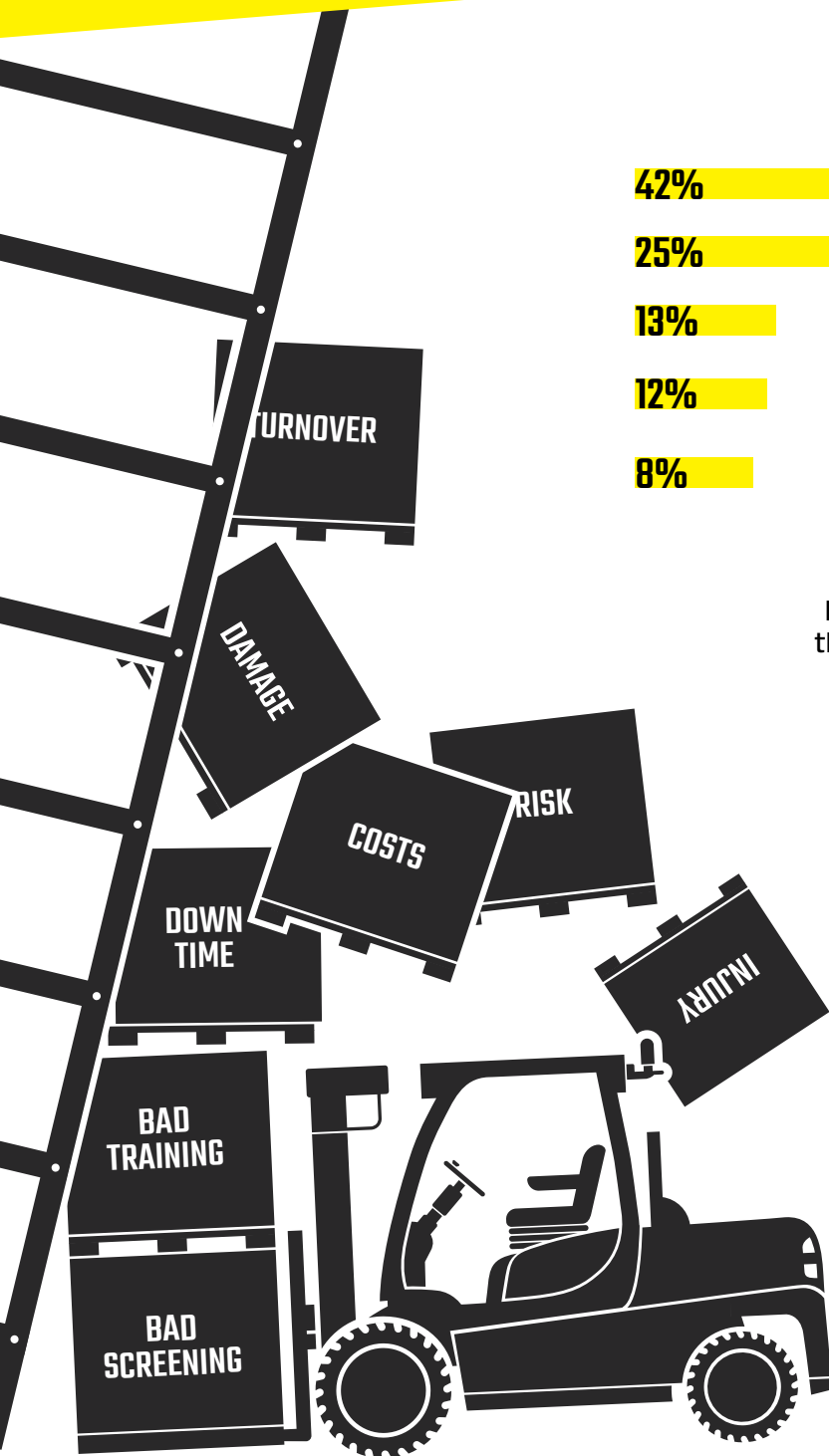
FLS-CBS-001 // PRODUCT SHEET

70% OF ALL FORKLIFT ACCIDENTS COULD BE AVOIDED WITH PROPER TRAINING AND SCREENING



Forklifts still cause many accidents and damage on the work floor. Today's logistics environment is fast paced and leaves little room for error.

Repetitive practice of common incident situations will increase skills and safety awareness resulting in less damage.



BENEFITS OF TRAINING IN VIRTUAL REALITY

The use of simulators as a training tool is well known. The Army and Flight schools have adopted this technology as a way of teaching the next generation of pilots and operators of various specialized equipment.

Virtual Reality adds an extra dimension to simulator training, immersing the user in a realistic and challenging environment. Objective data enables the trainer to evaluate results and accurately adjust individual training programs.

So what are the main advantages of virtual reality training?

- Little/no risk in a safe and controlled area
- Realistic scenarios
- Can be done remotely saving time and money
- Improves retention and recall
- Simplifies complex problems/situations
- Suitable for different learning styles
- Training is easier if the experience is pleasant or enjoyable which means higher level of engagement and understanding.

Time and money are also important factors. Training is necessary to ensure that people are able to perform their jobs or learn a subject in order to be fully productive. But the costs can be prohibitive.

Virtual Reality training is:

THE EASIEST, SAFEST AND MOST EFFECTIVE WAY TO SCREEN, TRAIN AND MOTIVATE

SOURCES

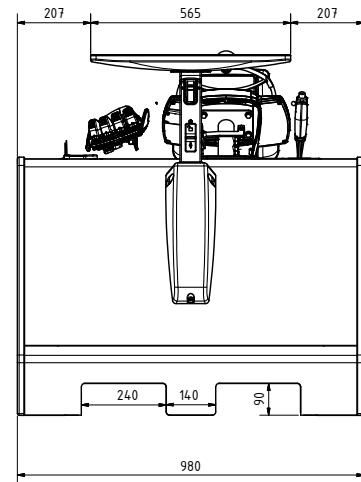
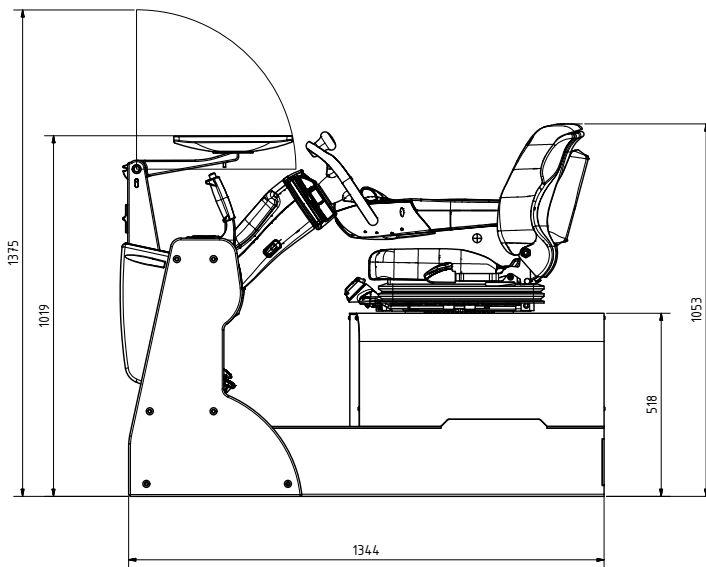
OSHA - www.osha.gov
Industrial Truck Association - www.indtrk.org



FLS-CBS-001

THE 360° SOLUTION FOR DRIVER TRAINING, SCREENING, SAFETY AND PRODUCTIVITY

Sit Down Counter Balanced Forklift-Simulator



HARDWARE

DIMENSIONS & WEIGHT

52.91 in x 38.6 in x 41.46 in (L/W/H)
Height Screen deployed = 54.14 in

1344mm x 980mm x 1053mm (L/W/H)
Height Screen deployed = 1375mm
Weight: 661.40 Lbs / 300 Kg

It has fork pockets in the front and rear and can be easily moved around with a regular hand pallet.

CONTROLS

Genuine OEM Controls, Steering and seat.

VR & COMPUTING

Oculus Rift VR Headset
Custom built VR ready PC
nVidia GTX 1070 GPU
8Gb RAM, 250Gb SSD HD

Made in the USA



Using the Oculus Rift Headset

Our CB Forklift-Simulator is designed for and ships with the renowned Oculus Rift VR headset. Top technology for a realistic and immersive experience.

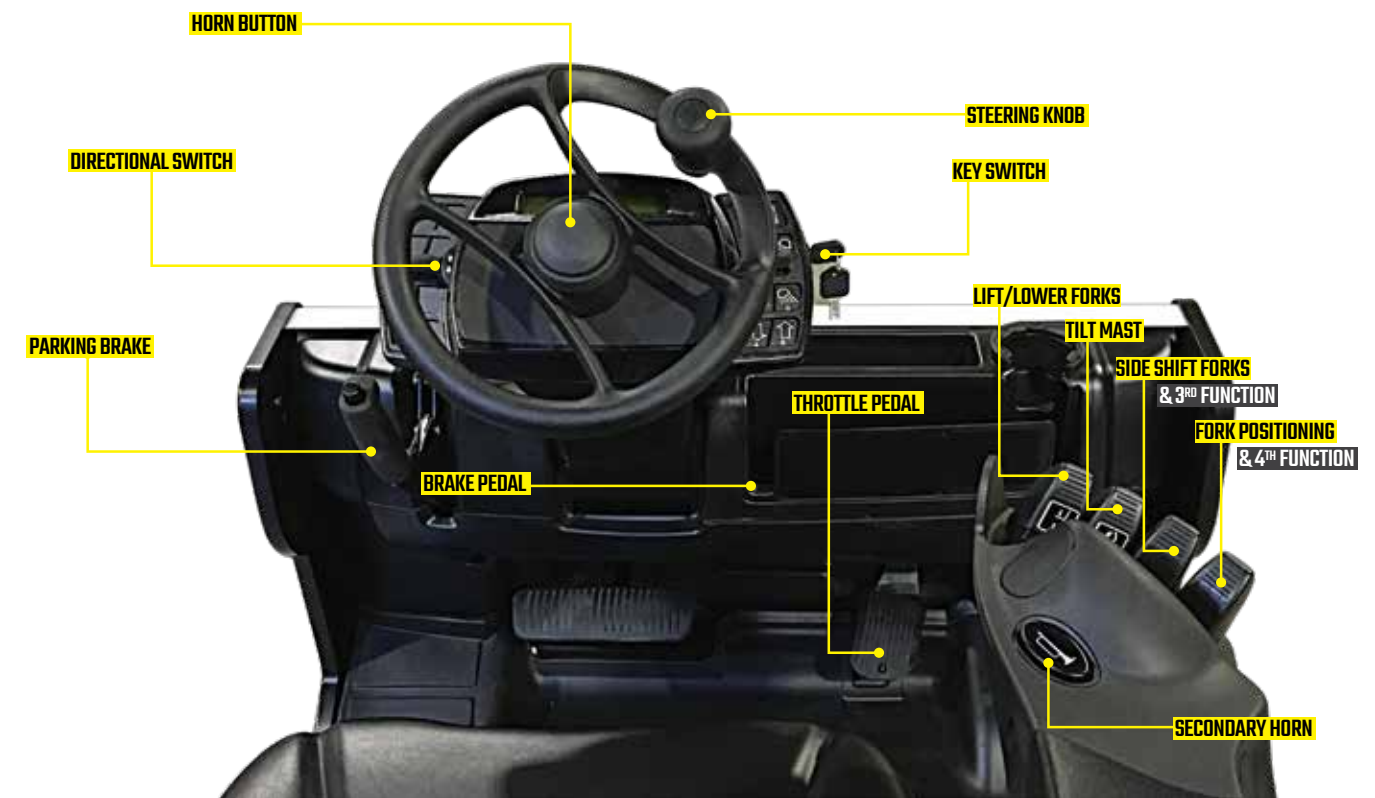
PACKAGING

By default, the Simulator is shipped in a wooden crate. We also offer a protective flight case for easy and safe transport and/or storage. A must have when you plan to take it on the road.



WARRANTY

A 1 year warranty is included in the purchase and can be optionally extended each year.





SOFTWARE CONTENT FLS-CON-004

STANDARD SIT DOWN CB
FORKLIFT CURRICULUM

For use with
FLS-CBS-001
Sit Down CB Forklift-Simulator

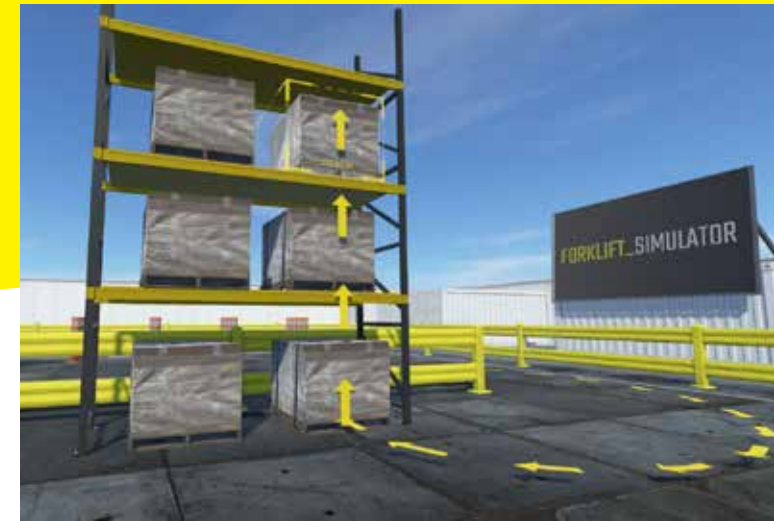
10 LEVELS

43 EXERCISES

The default Curriculum exists out of 10 levels containing 43 exercises in total. Start with the basics and move your way up to more challenging and complex exercises. The curriculum is based on OSHA guidelines and world leading Forklift Courses.

1. CONTROLS
Driving Controls
Forklift Specific Controls
2. STARTING & PARKING
Starting
Parking
3. FORWARD & BACKWARD DRIVING
Drive Course with Cones (forward & reverse)
Drive Course with Pedestrians (forward & reverse)
Figure Eight (forward & reverse)
Drive Slalom Course (forward & reverse)
4. HANDLING LOADS
Pick up & drop off
Narrow pick up & drop off
Turning point deep
Turning point Wide
Handle different loads
Handle Large loads
Handle heavy loads

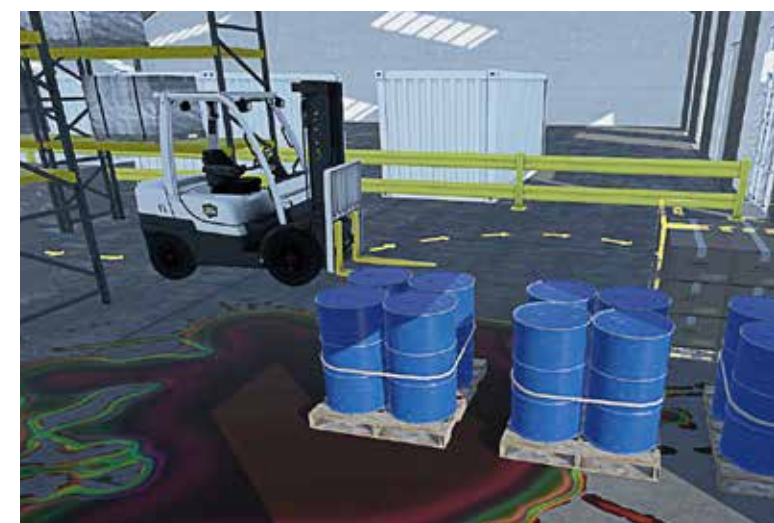
5. DRIVING WITH LOAD
Different Surfaces
Different Surfaces with Traffic
Pick up & place different loads
Pick up & place (deep)
Pick up & place (wide)
Figure eight with load
Pick up & place (narrow)
6. STACKING
Around corner stacking
Narrow aisle stacking
7. LOADING & UNLOADING TRUCKS
Loading trucks
Unloading trucks
Side loading a truck
Unloading a truck from the side
8. LOADING & UNLOADING RACKS
Loading a rack (identical loads)
Unloading a rack (identical loads)
Loading a rack (different loads)
Unloading a rack (different loads)
9. Narrow Aisles
Wide to narrow aisle
Wide to narrow aisle (pallet in width)
Slalom with pallet & wide to narrow aisle
Maneuver in narrow spaces
10. Specials
Exercise with ramp
Exercise with lots of traffic
Exam



SITUATIONS

Various operational objectives,
environments and safety situations

Clear Objectives
Different Environments

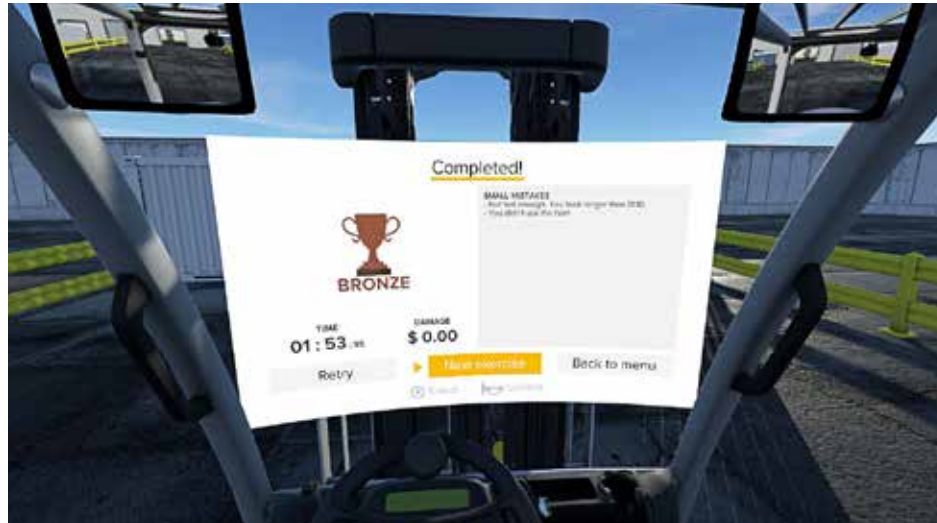


Different surfaces
and conditions



TRACKING

Common mistakes and attention points are tracked for review

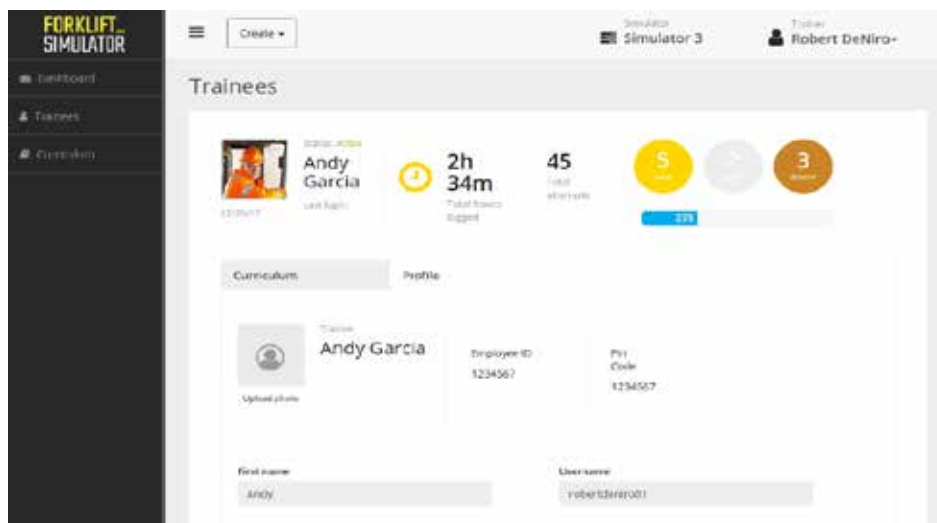


SCORING

Objective Bronze, Silver and Gold scoring

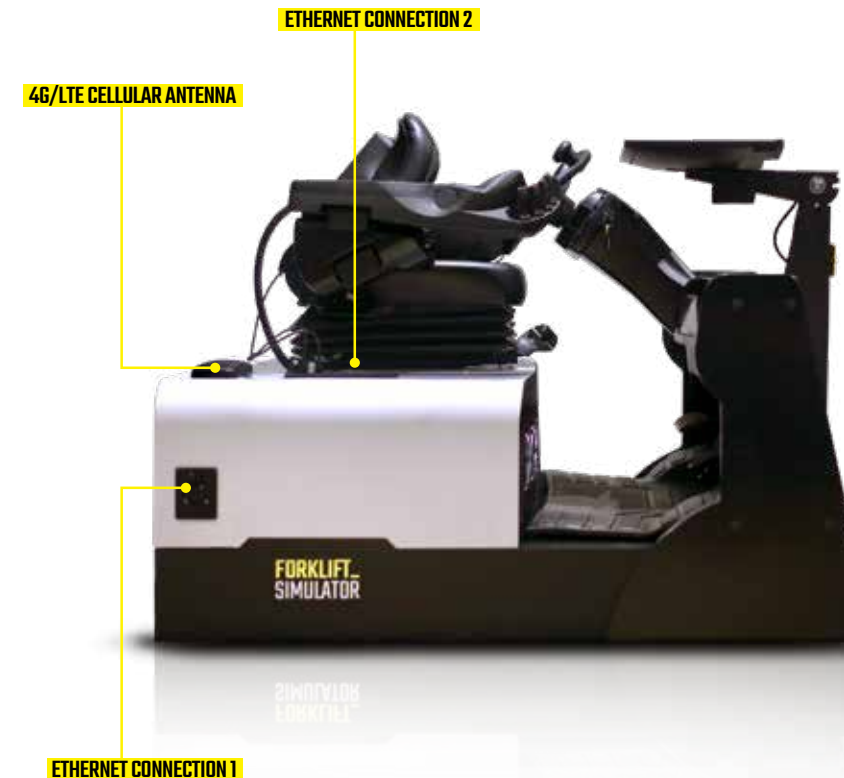
LICENSE PRICING

A 1 year software license is included in the purchase price of the simulator. The license includes service, support and upgrades. You will still be able to use your simulator without a license but will not receive the benefits of quick support or new and/or improved exercises and functionalities.



LEARNING MANAGEMENT

Using the learning Management System, a trainer can review the progress and results of each trainee.



ON-LINE ACCESS

Although the units will function off-line, we strongly recommend to put your simulator(s) on-line using a LAN or Wireless connection. (LAN recommended)

Having your unit connected will enable us to service and update the units remotely. It will also allow you to use the Learning Management System to the fullest.

Cellular connectivity is provided with the Service & Support agreement for updates, support and access to LMS.

OPTIONS



ADVANCED LEARNING MANAGEMENT SYSTEM

- User Management
- Content assignment and management
- Tracking and Reporting for Enhanced Performance
- Immediate Capabilities Evaluation

Our advanced LMS makes it all possible.
All from the convenience of your own desk.



USER MANAGEMENT

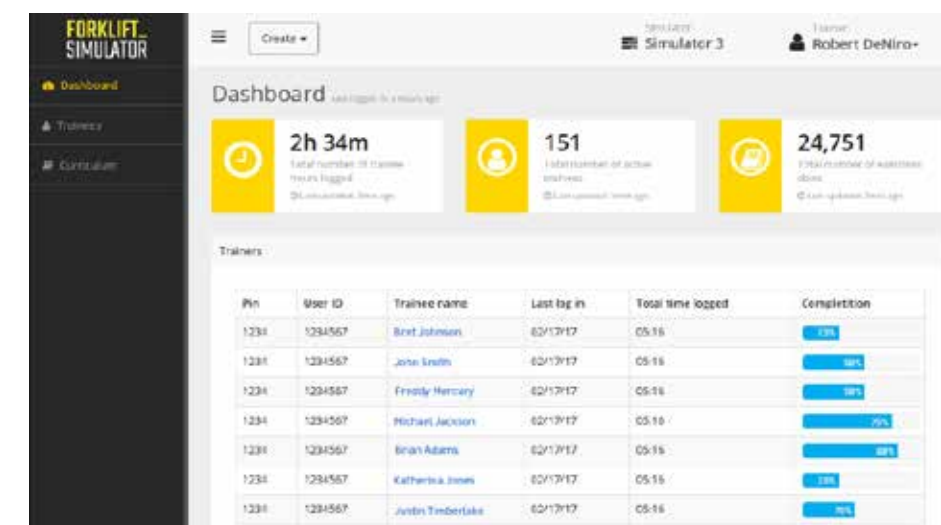
Each new user will receive a personal PIN code. Once logged in, the student will see the exercises assigned and the results of previous sessions.

CUSTOM ENVIRONMENTS

Some environments are very specific. We can recreate your work floor and specific loads on request.

FORK ATTACHMENTS

Trucks can be different depending on the task. A variety of fork attachments are available as well as specialized exercises.



OBJECTIVE DATA TRACKING

All objective data being tracked is accessible presented in easy to read dashboards.

Individualize training programs and direct the learning curve of your students.



FL-Simulators Inc.
4590 MacArthur Blvd.,
Newport Beach,
CA 92660, USA

www.forklift-simulator.com